

# 3M™ Water Filtration Products

SPEC# \_\_\_\_\_

QUANTITY \_\_\_\_\_

application: **ICE/COFFEE**

models: High Flow Series

## ICE260-S/ICE265-S



3M™ Water Filtration Products High Flow Series dual manifold High Flow Series ICE260-S and ICE265-S water filtration systems help provide consistent high quality water for commercial ice machines and coffee brewers by reducing the effects of sediment, chlorine taste and odor and scale at flow rates up to 6.68 gpm (25.3 lpm). Built-in scale inhibition reduces the ability of calcium and magnesium to precipitate as hard scale.

- **Model: High Flow Series ICE260-S** combines two High Flow Series HF60-S cartridges with a High Flow Series 2XX twin manifold to give chlorine taste and odor reduction with cyst, bacteria<sup>1</sup> and sediment reduction, while reducing the effects of chlorine corrosion and scale for up to 70,000 gallons (264,978 liters).
- **Model: High Flow Series ICE265-S** combines two High Flow Series HF65-S cartridges with a High Flow Series 2XX twin manifold to give chlorine taste and odor reduction with sediment reduction for higher turbidity water, while reducing the effects of chlorine corrosion and scale for up to 70,000 gallons (264,978 liters).

### PRODUCT BENEFITS

- Effectively reduces sediment and chlorine taste and odor for better equipment protection and clearer, great tasting ice.
- Revolutionary **I**ntegrated **M**embrane **P**re-**A**ctivated **C**arbon **T**echnology (“**IMPACT**”) dual-zone media cartridge construction combines a membrane in series with premium activated carbon to provide superior throughput and cartridge life.
- Built-in bacteria inhibitor intended to reduce fouling of media (HF60-S replacement cartridge.) Not tested or certified by NSF.
- Certified by NSF to Standard 53 for cyst reduction (HF60-S replacement cartridge).
- NSF Standard 42 and/or FDA CFR-21 compliant materials.
- Reduction of up to 99.99% of common water-borne heterotrophic bacteria by membrane filtration as tested by CUNO (HF60-S replacement cartridge).
- Built-in scale inhibitor reduces lime scale build-up as tested by CUNO.
- Sanitary Quick Change (SQC) encapsulated cartridge design allows for fast and easy cartridge change-outs with a 1/4 turn.
- 3/4” NPT horizontal inlet and outlet ports allow direct or easily adaptable connections to existing plumbing lines.
- Auxiliary inlet gauge port allows optional monitoring of differential water pressure.

### PRODUCT SPECIFICATIONS

Model Number	Part Number	Reduction Claims	Nominal Micron Rating	Capacity	Service Flow Rate	Application	Replacement Cartridge	Sizing
ICE260-S	56245-03	Cyst, Bacteria <sup>1</sup> , Sediment, Chlorine Taste and Odor, Scale <sup>2</sup>	0.2 <sup>3</sup>	70,000 gallons (264,978 liters)	6.68 gpm (25.3 lpm)	Most Standard Water	HF60-S: (Qty. 2) 56134-05	Low Flow Cubers to 3,000 lbs. (1,361 kg) High Flow Cubers to 2,400 lbs. (1,089 kg) Flakers to 4,800 lbs. (2,177 kg)
ICE265-S	56245-04	Sediment, Chlorine Taste and Odor, Scale <sup>2</sup>	3.0 <sup>3</sup>	70,000 gallons (264,978 liters)	6.68 gpm (25.3 lpm)	Higher Turbidity Water	HF65-S: (Qty. 2) 56134-09	Low Flow Cubers to 3,000 lbs. (1,361 kg) High Flow Cubers to 2,400 lbs. (1,089 kg) Flakers to 4,800 lbs. (2,177 kg)

<sup>1</sup> As tested with E.Coli ATCC (11229)

<sup>2</sup> Tested and verified by manufacturer's laboratory

<sup>3</sup> NSF Certified for Particulate, Class I



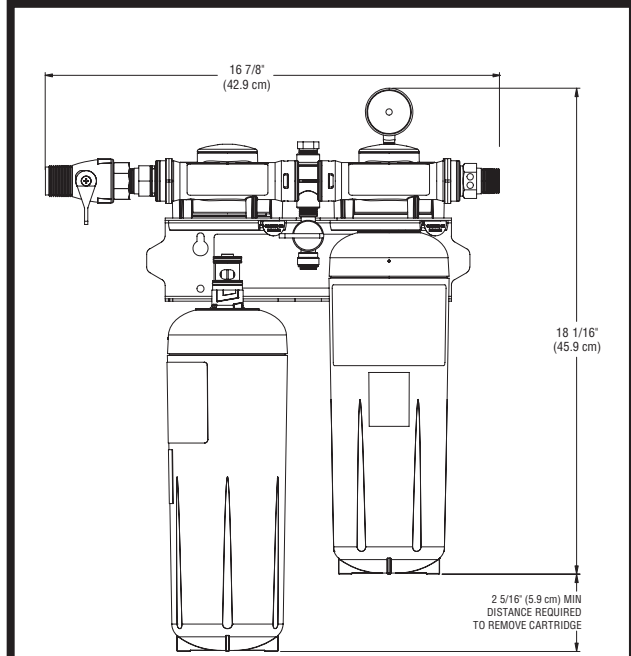
# ICE260-S/ICE265-S

SPEC# \_\_\_\_\_

QUANTITY \_\_\_\_\_

MODEL NUMBER \_\_\_\_\_

PART NUMBER \_\_\_\_\_



**⚠ WARNING: To reduce the risk associated with the ingestion of contaminants:**

- Do not use with water that is microbiologically unsafe or of unknown quality without adequate disinfection before or after the system. Systems certified for cyst reduction may be used on disinfected water that may contain filterable cysts. EPA Establishment #070595-CT-001

Manufacturer recommends regularly scheduled maintenance and replacement of the filter cartridge(s) in order for the product to perform as advertised/sold. Manufacturer shall not be liable for system failures due to improper maintenance.

**LIMITED WARRANTY**

Seller warrants its equipment, with the exception of the disposable filter cartridges, against defects in workmanship and material for a period of five (5) years from date of shipment from the factory under normal use and service and otherwise when such equipment is used in accordance with instructions furnished by Seller and for purposes disclosed in writing at the time of purchase, if any. The disposable filter cartridge is warranted from defects in material and workmanship for a period of one (1) year from the date of purchase. Any unauthorized alteration or modification of the equipment by Buyer will void this warranty. Seller's liability under this warranty shall be limited to the replacement or repair, F.O.B. point of manufacture, of any defective equipment or part which, having been returned to the factory, transportation charges prepaid, has been inspected and determined by the Seller to be defective. THIS WARRANTY IS IN LIEU OF ANY OTHER WARRANTY, EITHER EXPRESSED OR IMPLIED, AS TO DESCRIPTION, QUALITY, MERCHANTABILITY, FITNESS FOR ANY PARTICULAR PURPOSE OR USE, OR ANY OTHER MATTER. Under no circumstances shall Seller be liable to Buyer or any third party for any loss of profits or other direct or indirect costs, expenses, losses or consequential damages arising out of or as a result of any defects in or failure of its products or any part or parts thereof or arising out of or as a result of parts or components incorporated in Seller's equipment but not supplied by the Seller.

# 3M™ Water Filtration Products

**PHYSICAL SPECIFICATIONS**

- System includes a two cartridge manifold with built-in pressure gauge, inlet water shut-off valve, outlet check valve, mounting brackets and two cartridge filters.
- Auxilliary inlet gauge port allows optional monitoring of differential water pressure.
- Filter cartridges are o-ring seal type.
- System maximum operating pressure of 125 psi (862 kPa) and operating temperature of 100°F (37.8°C).
- Recommended service flow rate is up to 6.68 gpm (25.3 lpm).
- Filter cartridges incorporate a bacteriostatic carbon block filtration medium (HF60-S replacement cartridge) and scale inhibitor.
- System materials are NSF Standard 42 and/or FDA CFR-21 compliant.
- Cartridges are sanitary in design, requiring no contact with the filter media during cartridge change-out.
- Filter cartridges require no pre-activation.
- NSF Performance Data Sheet (PDS) is included.
- Shipping weight: Contact Factory.
- Operating weight: 27 lbs. (12.2 kg) per case.

**IMPORTANT: INSTALLATION TIPS**

These installation tips are for informational purposes only and are not intended to be used as actual installation instructions. **CAUTION: To reduce the risk associated with property damage due to water leakage:**

- **Read and follow** Use Instructions before installation and use of this system.
- Installation and use **MUST** comply with all state and local plumbing codes.
- **Protect from freezing**, remove filter cartridge when temperatures are expected to drop below 40°F (4.4°C).
- **Do not install on hot water supply lines.** The maximum operating water temperature of this filter system is 100°F (37.8°C).
- **Do not install** if water pressure exceeds 125 psi (862 kPa). If your water pressure exceeds 80 psi (552 kPa), you must install a pressure limiting valve. Contact a plumbing professional if you are uncertain how to check your water pressure.
- **Do not install** where water hammer conditions may occur. If water hammer conditions exist you must install a water hammer arrester. Contact a plumbing professional if you are uncertain how to check for this condition.
- The disposable filter cartridge **MUST** be replaced every 12 months, at the rated capacity or if a noticeable reduction in flow rate occurs.



High Flow Series cartridges and manifolds are tested and certified by NSF International against NSF/ANSI Standard 42 and NSF/ANSI Standard 53 for the reduction of claims as specified on the Performance Data Sheet.

